

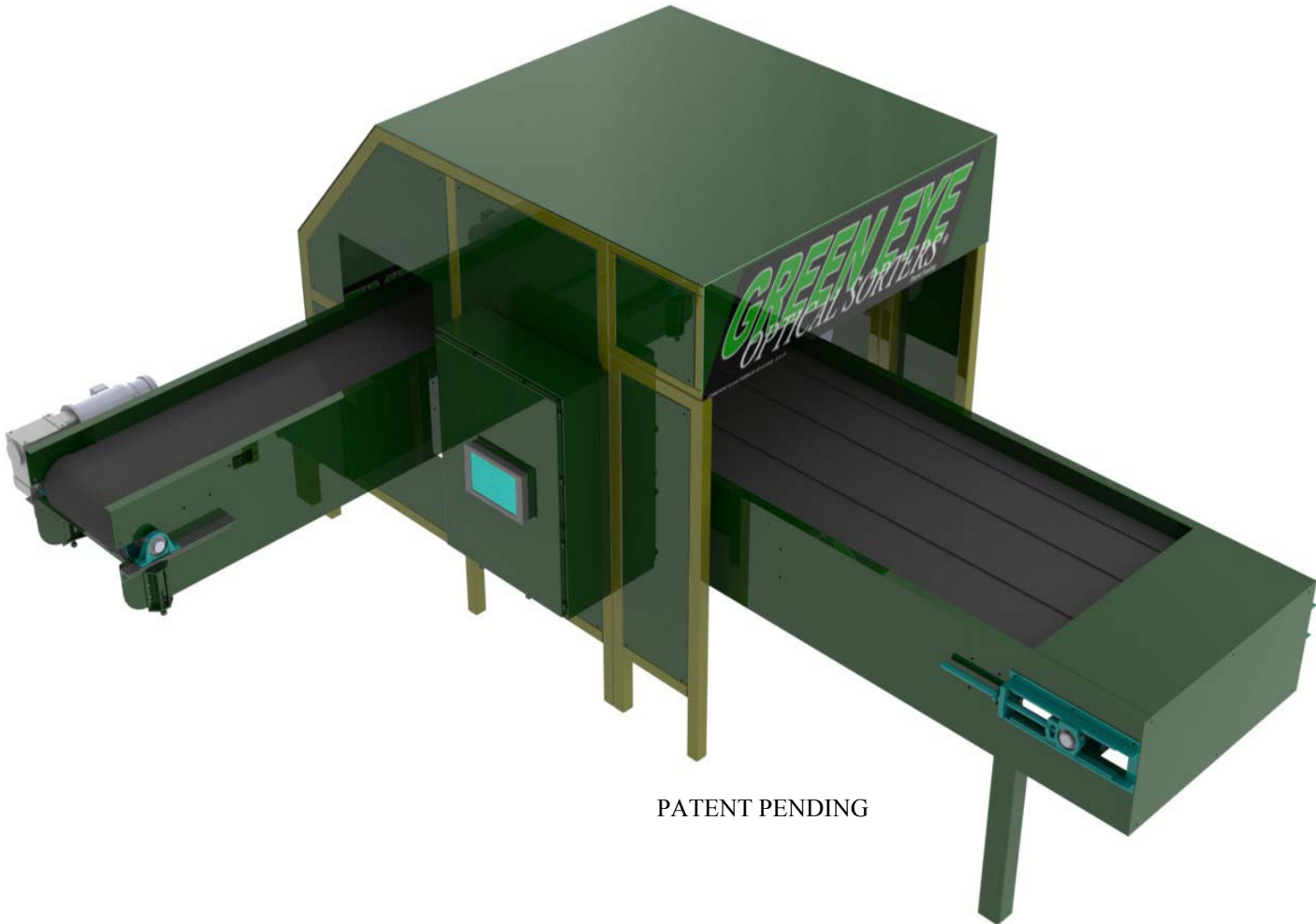
GREEN EYE[®] OPTICAL SORTERS

GREEN MACHINE SALES, LLC

Patent Pending

877-448-4443 ~ GREENMACHINESALES.COM

WHOLE CONTAINER OPTICAL SORTERS



PATENT PENDING

WEIGH THE DIFFERENCE

5 Gigante Drive Hampstead, NH 03841 USA

TEL: (603) 329-7337 ~ WATTS: (877) 448-4443 ~ FAX: (603) 329-7458

www.greenmachinesales E-MAIL: sales@greenmachinesales.com

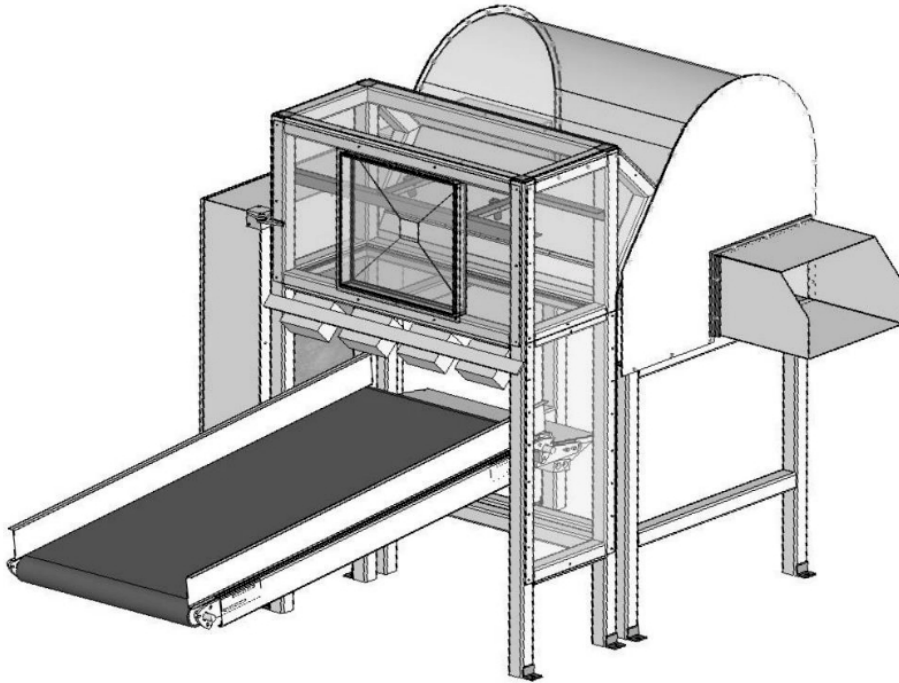
Our patent pending optical identification system reads the molecular structure of each sorted and non-sorted item. This revolutionary technology enables precise identification of desired items, and those that are unwanted such as paper, aluminum and steel cans. This feature enables the best pick rate levels in the industry. Most customers do not post sort while achieving the highest paying return. Our superior technology and durable design produces confidence that your Green Eye is doing its job with little attention from your maintenance people. Green Machine looks forward to the opportunity to prove our system's design.



REVOLUTIONARY
~OPTICAL SENSORS
~EJECTION METHOD
~EASE OF INSTALLATION
~HIGHEST RECOVERY %



Patent Pending



GREEN EYE® OPTICAL SORTING SYSTEM SPECIFICATIONS

Estimated Throughput Ratings for Post Consumer Plastics:

24" Wide Belt	4 tons per hour
36" Wide Belt	6 tons per hour
48" Wide Belt	8 tons per hour
60" Wide Belt	10 tons per hour

Estimated Success Rates:

Pick Rates	90% +
Selected Material Cleanliness	95% +

System Components Provided:

- **Patent Pending Product Optical Sorter**
- **Multiple Grade Selection of All Commodities with Each Head**
- **Patent Pending Air Ejection System**
- **Discharge Conveyor or Blower Option**
- **HVAC Cabinet Heater Air Conditioning System, Climate Controlled Optics Enclosure**
- **Anti Roll accelerator Feed Conveyor**
- **Extended Life Light Bar System**
- **Allen Bradley Touch Screen Controls**
- **Complete Control Panel with Disconnect**
- **Patented In-Line Design Enabling Head Positioning as close as 7'**
- **Ethernet External Modem Connection**
- **One Year Free Program Upgrades**

Warranty Terms:

Full One Year Parts and Labor Warranty Against Defects in Material and Workmanship on Non-Wear Items.